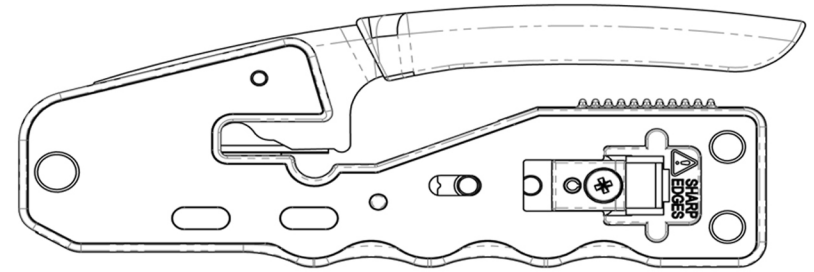
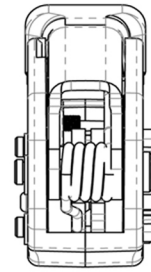
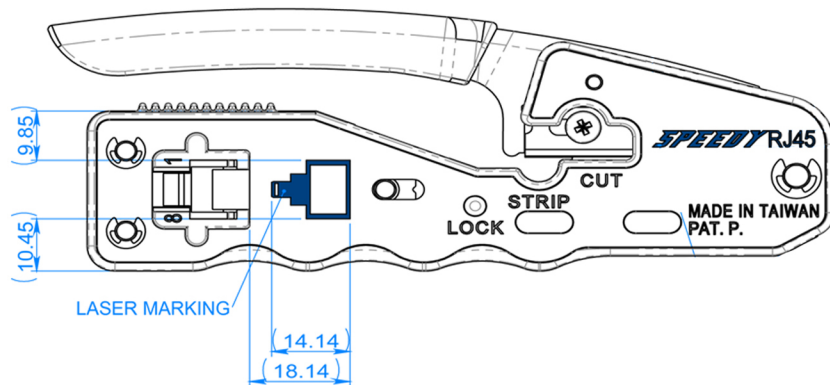


ROHS Compliant

Code: TRCSPDY3



MATERIAL:

1. Body: Plastic ABS (Black)
2. Grip: PVC (Pantone 186C Red)
3. Handles, side plates: stamped steel (black oxide)
4. Die head: die-cast zinc alloy
5. Other metal components: steel (black oxide)

All dimensions ,millimeters
Unless otherwise specified.
Dimensional tolerances are:
0 - 6mm ±0.1
6 - 30mm ±0.2
30 - 120mm ±0.3

